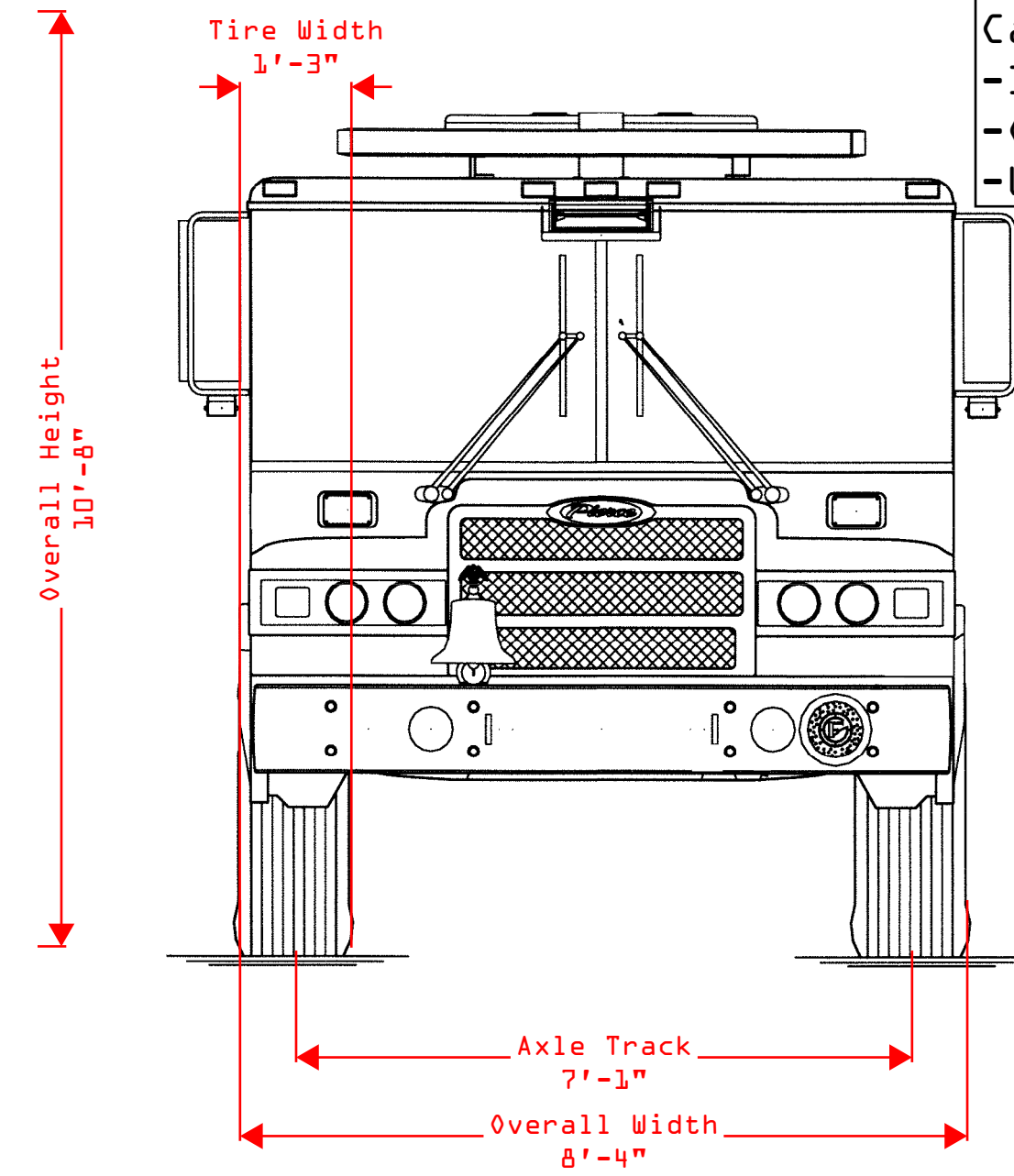
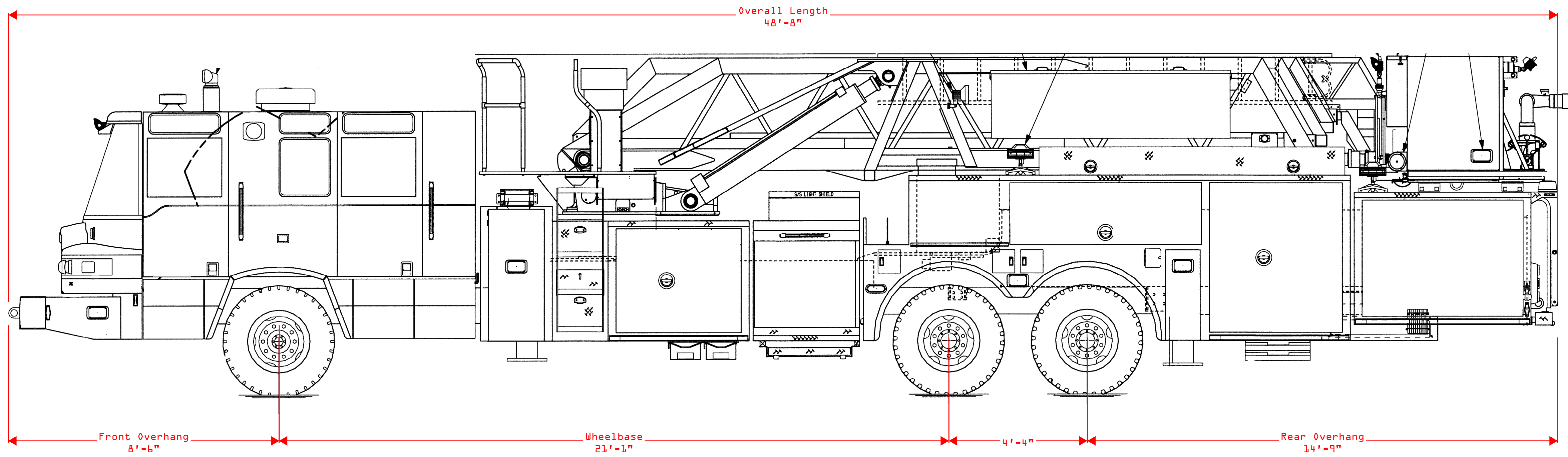


SECTION VIEW

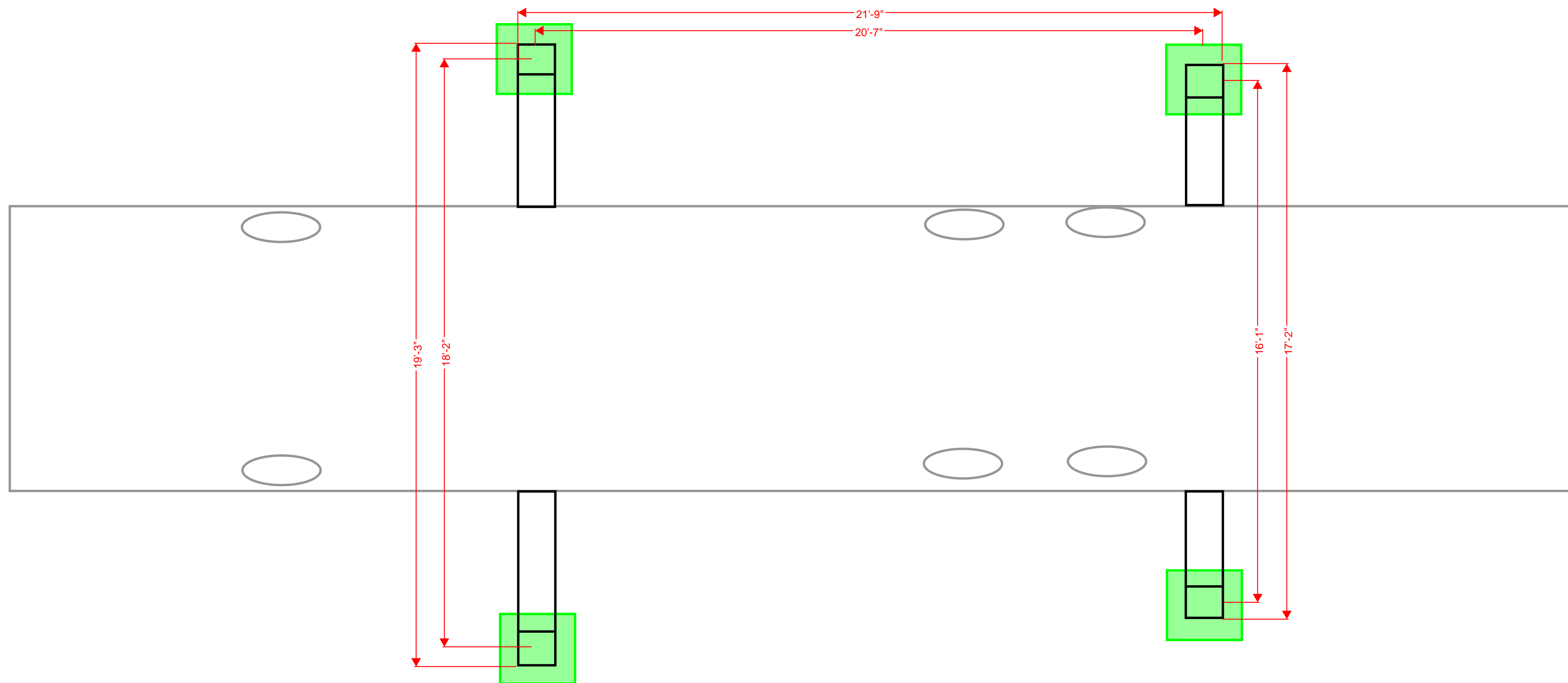


Specific Notes:

Additional Parameters
 -Inside cramp angle: 40 degrees
 -Lock to lock time: 11 seconds

Calculated Turning Radii
 -Inside Turn: 26'-3"
 -Curb to Curb: 43'-6"
 -Wall to Wall: 47'-6"

PLAN VIEW



Specific Notes:

Additional Parameters
 -Total Truck Weight: 85,000 lbs
 -Front Axle Rating: 24,000 lbs
 -Rear Axle Rating: 58,000 lbs
 -Equivalent Single Axle Loading (ESAL): 73,000

-Ground Pad Dimensions: 24"x24"
 -Outrigger Point Load: 75 psi maximum

Apparatus:	Tower 5b
Manufacturer:	Pierce
Model:	Quantum
Year Built:	2009
Document Effective Date:	January 17, 2022

Arvada Fire Protection District
 7903 Allison Way Arvada, Colorado 80005

